



Photo View

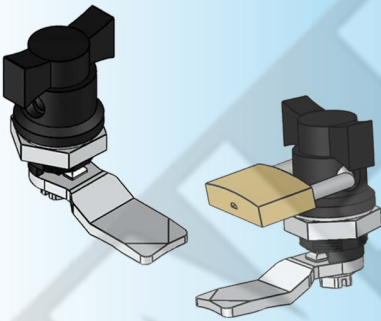


MS 722



MS 722 - 2 - 1

3D Rendered View

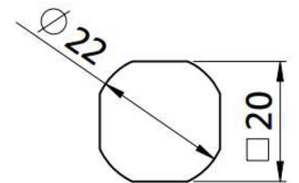
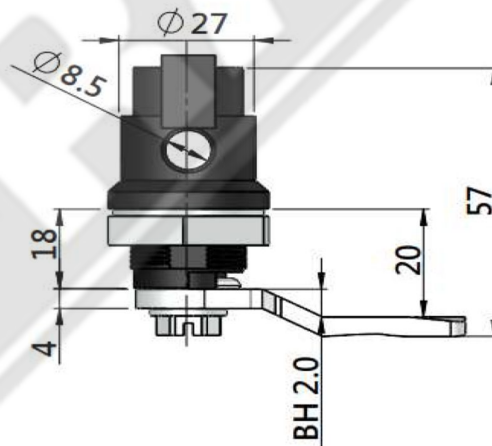
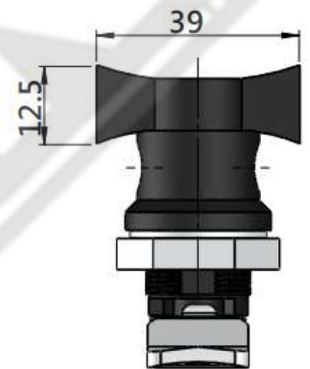
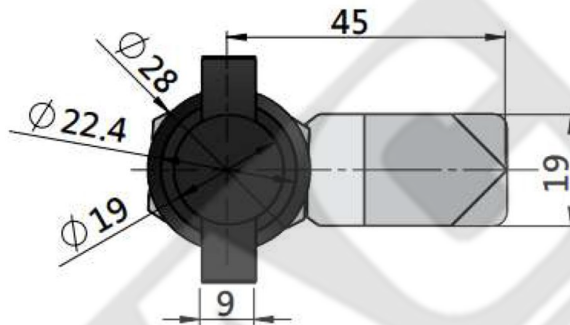


MS 722

- Material: Zinc die-casting body
PA handle
- Finish: Matt black
- Pannel: thickness: 1~6mm
- Remark: Cam cutout \square 8x8

For Product Step File or 3D Model Send a Request Mail To info@nrack.com

Quarter turn Padlockable



CUT OUT